

VERTICAL REACH IN FREEZER

MODEL: SSF 20 1DS

PRO-KOLD

Product features

- Intelligent temperature control, reduces and optimizes energy consumption.
- (3) adjustable shelves to fit your display needs
- LED lights for enhanced interior illumination
- Self-closing, solid door to reduce heat transfer and optimize energy savings.
- Stainless steel interior floor for maximum hygiene and easy cleaning
- Evaporative condensing pan included, no plumbing required
- Automatic defrost cycle
- Forced air cascade system to promote even cooling throughout product displayed
- Heavy duty casters included
- Easy access to the condensing unit through top, front cover
- Stainless steel interior and exterior



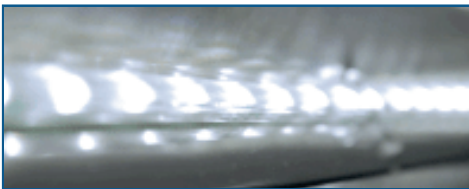
Available Color

STAINLESS
STEEL

Accessories

- Additional pre-painted wire shelves

Product highlights



LED Lighting



Electronic digital controller



Easy access to compressor

Certifications



SAFETY AND SANITATION
ETD LISTED ETD LISTED
Conforme a UL-471 Conforme a NSF-7



Warranty

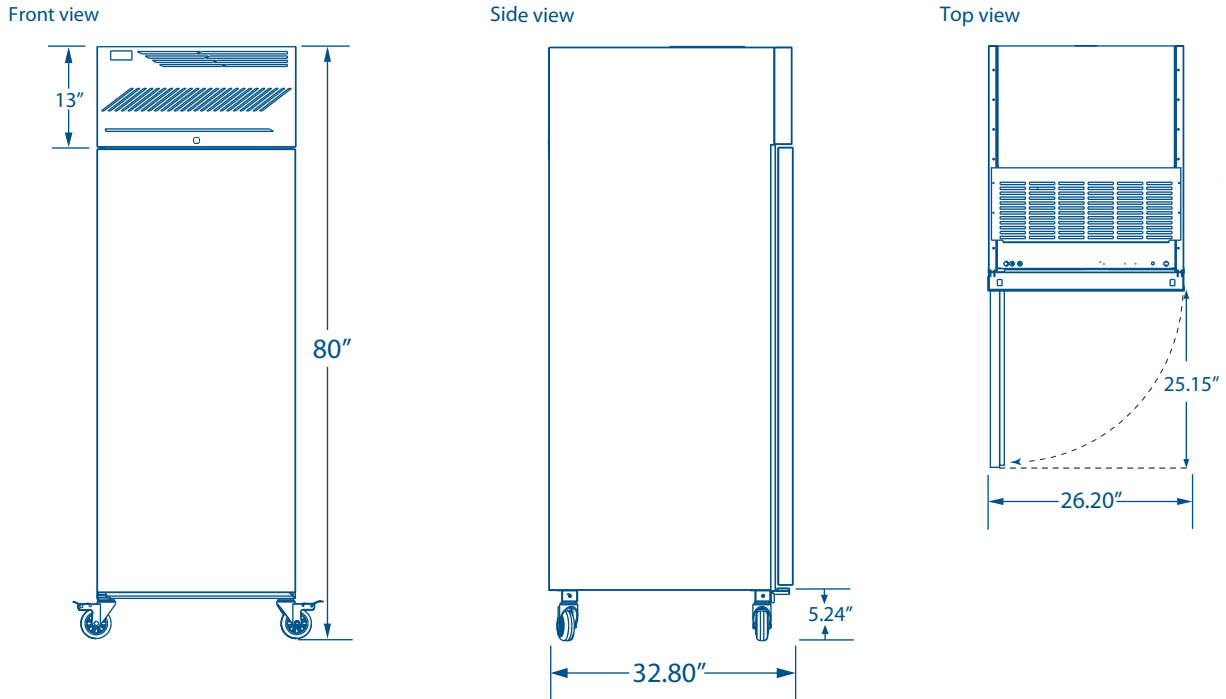
- 2 Year parts and labor
- Additional 3 year compressor coverage

Residential: Assumes on liability for parts or labor coverage for component failure, factory defect or any other damages for units installed in non-commercial foodservice or residential applications.

PRODUCT SPECIFICATIONS
MODEL: SSF 20 2DS



Plan view



Technical data

Dimensions

External dimensions	W: 26.20" D: 32.80" H: 80"
Internal dimensions	W: 22.5" D: 28" H: 56.50"
Net volume	20.70 ft3 (587 Lts)
Net weight	253.50 Lbs.
Gross weight	318.30 Lbs.
Packaging dimensions	W: 28" D: 35" H: 81"
Shelf dimensions	W: 23" D: 21.4"

Electrical data

Power supply	110v/ 60 Hz
Amps	3.9 A
Length of cord	98" (2500mm)
Lighting	LED
Plug type	NEMA-5-15P
Controller	Digital
Compressor power	3/4 HP

Performance data

Refrigerant charge	8.46 oz
Energy consumption	13.9 kwh/h
Condenser forced	Ventilation Forced
Evaporator	Ventilation Forced
Evaporation temperature	19.94°F
Expansion method	Capilar
Thawing method	Electrical

Cooling

Temperature range	-0.4°F to -7.6°F (Exhibition)
Refrigerant	R404a
Defrosting	Electric
Temperature controller	Digital
Optimum temperature range	-0.4°F to -7.6°F (-18°C to -22°C)

Construction

Exterior material	Stainless steel
Interior material	Stainless steel
Number of shelf storage	3
Shelf material	Pre-painted steel
Door type	Solid swing
Door quantity	1

Logistic data

Trailer Loads	54 fit on a 53' trailer
Unit weight with packaging	318.30 lbs (144.37 kg)
Dimensions with packaging	W: 28" D: 35" H: 81"

* W= Width, D= Depth, H= Height