

REFRIGERATED 40" DISPLAY CASE MODEL: DDC40

PRO-KOLD

Product features

- Left hinge swing, glass rear door for effortless loading and unloading
- Double pane, curved, front glass which reduces heat transfer and promotes product conservation
- Fully adjustable stainless steel shelves
- Stainless steel floor
- Temperature range 35.6°F to 50°F
- LED lighting for enhanced product display
- Easy-lift front covers for access to condensing unit and easy cleaning
- Electronic temperature controller
- Gravity controlled cooling system
- 1/4 HP compressor
- R134a refrigerant that reduces and optimizes energy consumption



Available Product Finishes

BLACK

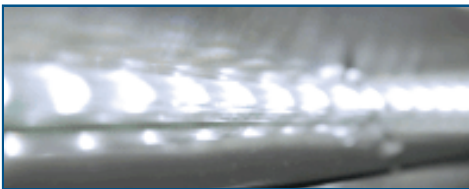
WHITE

STAINLESS
STEEL

Accessories

- Castors, Lock provided on front set for more security, Castors have a diameter of 4" (102mm).

Product highlights



LED Lighting



Electronic digital controller



Easy access to compressor

Certifications



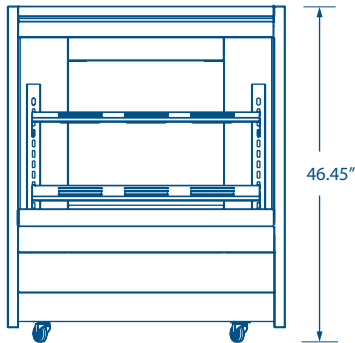
Warranty

- 2 Year parts and labor
- Additional 3 year compressor coverage

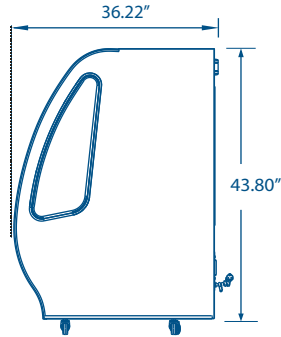
Residential: Assumes on liability for parts or labor coverage for component failure, factory defect or any other damages for units installed in non-commercial foodservice or residential applications.

Plan view

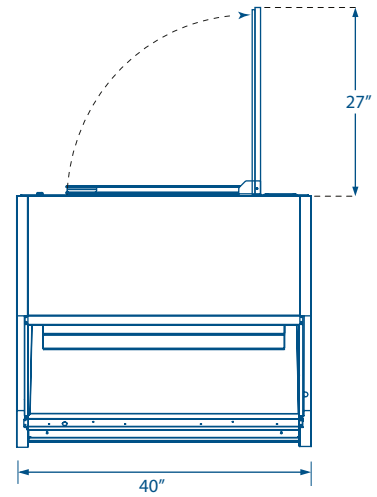
Front view



Side view



Top view



Technical data

Dimensions

External dimensions	W: 40" D: 36.22" H: 46.45"
Internal dimensions	W: 36.69" D: 28.81" H: 31.92"
Net volume	14 ft ³ (396 Lts.)
Net weight	273 Lbs.
Gross weight	343.9 Lbs.
Upper shelf dimensions	W: 32.6" D: 15.1"
Lower shelf dimensions	W: 32.6" D: 18.8"

Electrical data

Power supply	115v/ 60 Hz
Amps	6.96 A
Length of cord	74.80" (1900mm)
Lighting	LED
Plug type	NEMA-5-15P
Controller	ERC 112D
Compressor power	1/4 HP

Performance data

Refrigerant charge	7.05 oz
Energy consumption	4.93 KW/24HRS
Evaporator	Natural convection
Evaporation temperature	8.6°F (-13°C)
Expansion method	Capilar
Thawing method	Natural

Cooling

Temperature range	35.6°F to 50°F (Exhibition)
Refrigerant	R134a
Cut In	41°F (5°C)
Cut Out	33.8°F (1°C)
Condenser	Maintenance free

Construction

Exterior material	Stainless Steel,Black, White
Interior material	Stainless Steel
Number of shelf storage	2
Shelf material	Stainless Steel
Door type	Glass door swing
Door quantity	1

Logistic data

Trailer Loads	30 fit on a 53' trailer
Trailer Loads	28 fit on a 48' trailer
Unit weight with packaging	343.92 lbs (156 kg)
Dimensions with packaging	W: 42.12" D: 37" H: 52.12"

* W= Width, D= Depth, H= Height